

TechnicalOne

Workstation

6' W x 5'-6" D x 4' H

3/4" Black Phenolic Resin Surfaces (FSC-certified); 1/2" Corian wall panel.
6061-T6 Aerospace Grade Aluminum Structure (100% recyclable).

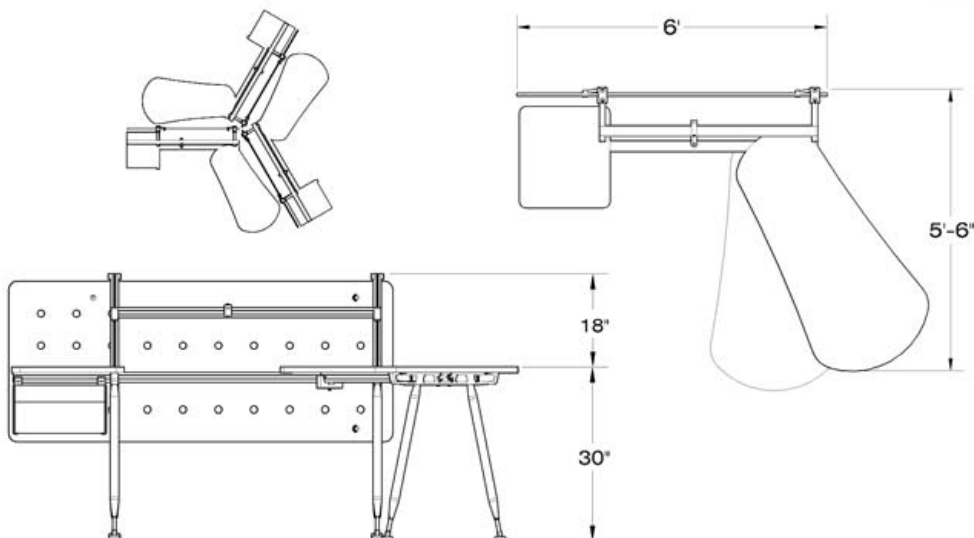
Return worktop rotates freely, allowing for user customization of workstation on the fly.

Height always adjustable $\pm 1"$; custom base heights available.

Top also available with colored phenolic resins, bamboo or other solid surfaces.

Customize it with drawers, shelves, laptop platforms, keyboard trays, monitor arms or other modules

Built to order - lead time varies.



www.swerveco.com
1.877.644.1898

2629 7th St.
Berkeley, CA 94710