

Rolling Return

Mobile Storage

45" W x 16" D x 26" H

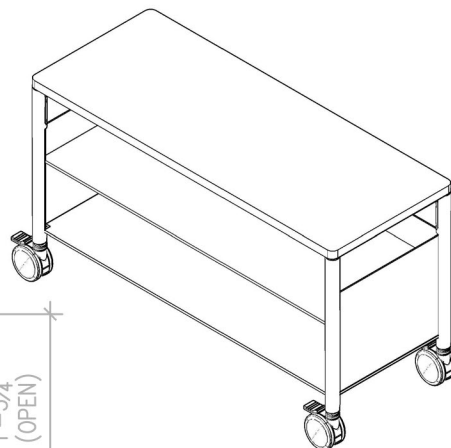
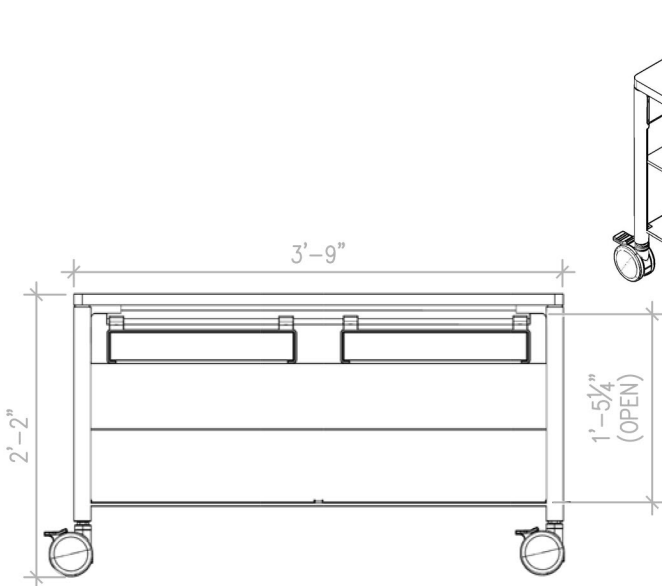
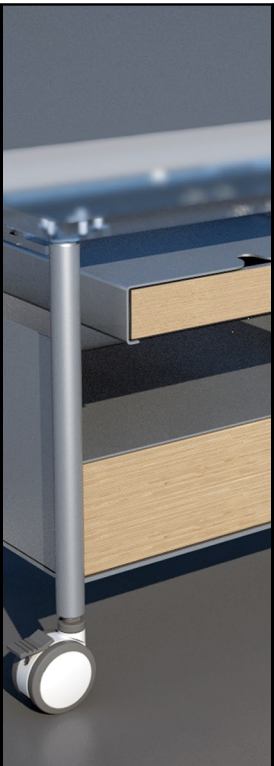
6061-T6 Aerospace Grade Aluminum Structure.

Surface is Translucent Acrylic composed of 38% recycled plastic content.

A variety of storage modules available including full-width aluminum shelving, phenolic pencil drawers and bamboo lateral drawers; modules are easily swappable later.

Surfaces also available in recycled paper phenolic resins, FSC-certified woods including bamboo, medical grade corian or other solid surfaces. Frame can be black or color anodized.

Built to order - lead time varies.



www.swerveco.com
1.877.644.1898

2629 7th St.
Berkeley, CA 94710