

Hybrid

Workstation (non-offgassing, redlist chemical-free)

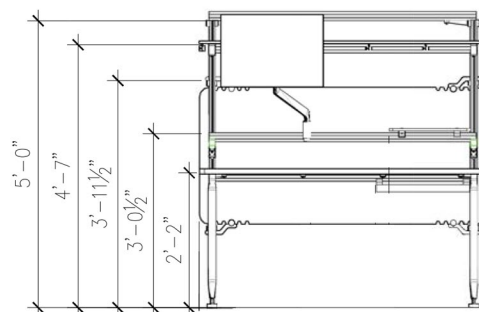
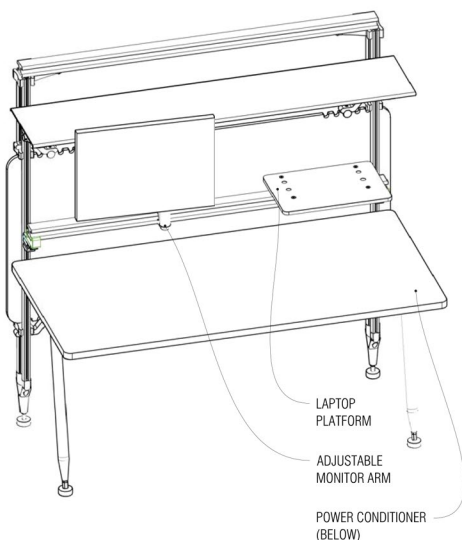
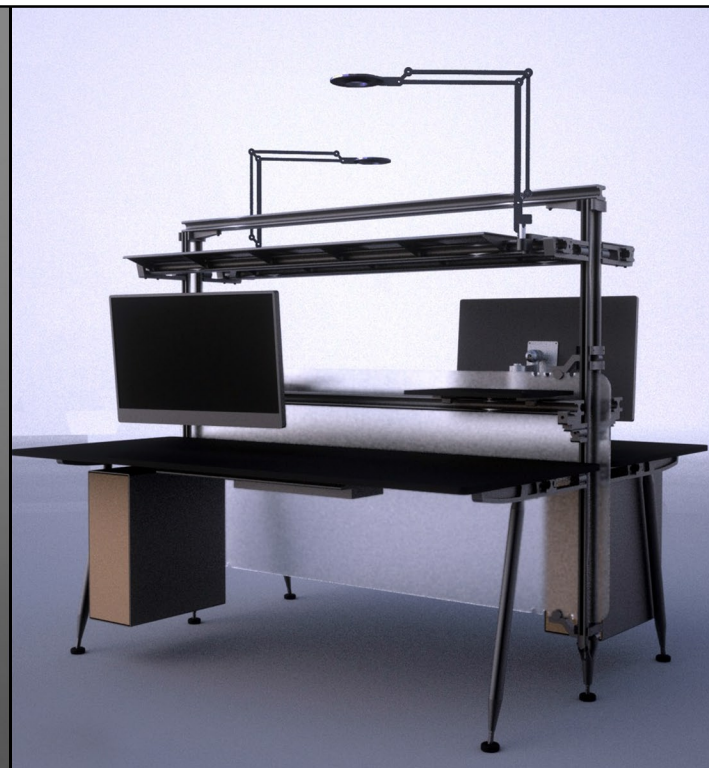
5' W x 34" D x 5' H

1" Black Corian desktop with aluminum subsurface-mechanically fastened for inert construction.
Translucent Acrylic back panel composed of 38% recycled plastic content.
6061-T6 Aerospace Grade Aluminum Structure.

Height always adjustable $\pm 1"$; custom base heights available.

Surfaces also available with recycled-paper phenolic resins and acrylics, FSC-certified woods including bamboo or other solid surfaces.

Built to order - lead time varies.



www.swerveco.com
1.877.644.1898

2629 7th St.
Berkeley, CA 94710